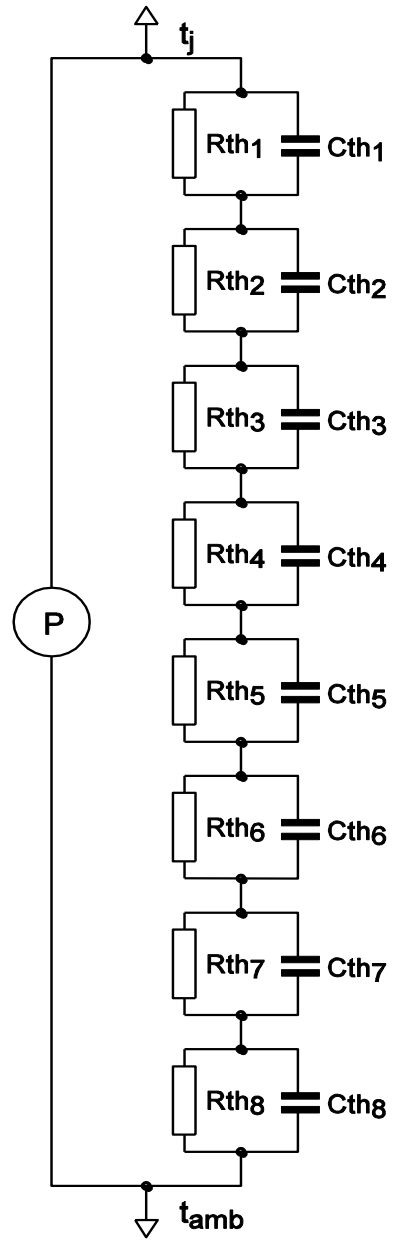


SPICE thermal model

PSMN2R4-30YLD

Symbol	Parameter	Conditions	Min	Typ	Max	Unit
$R_{th(j-mb)}$	thermal resistance from junction to mounting base		-	-	1.42	K/W

C_{th1}	8.855E-05 F
C_{th2}	1.238E-04 F
C_{th3}	2.776E-04 F
C_{th4}	1.229E-03 F
C_{th5}	6.494E-03 F
C_{th6}	6.607E-03 F
C_{th7}	4.347E-01 F
C_{th8}	4.361E+01 F
R_{th1}	1.326E-03 Ω
R_{th2}	8.246E-03 Ω
R_{th3}	3.220E-02 Ω
R_{th4}	7.027E-02 Ω
R_{th5}	1.885E-01 Ω
R_{th6}	9.966E-01 Ω
R_{th7}	1.176E-01 Ω
R_{th8}	5.289E-03 Ω



001aal768

Part: PSMN2R4-30YLD
 Date: 17/11/2015
 Model Rth 1.42 K/W